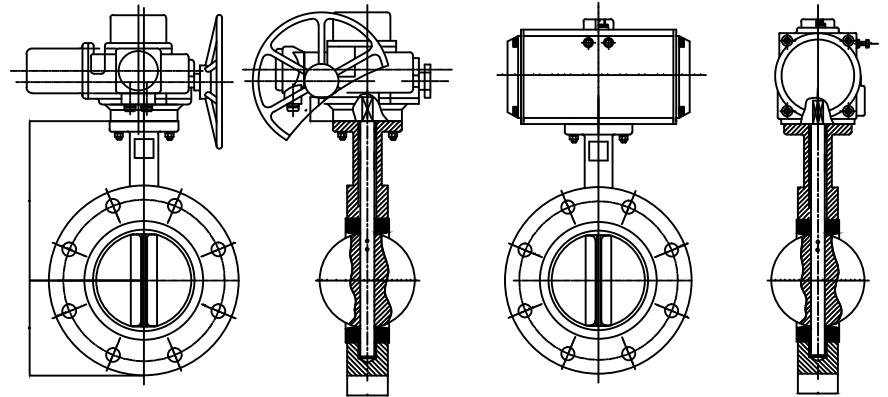
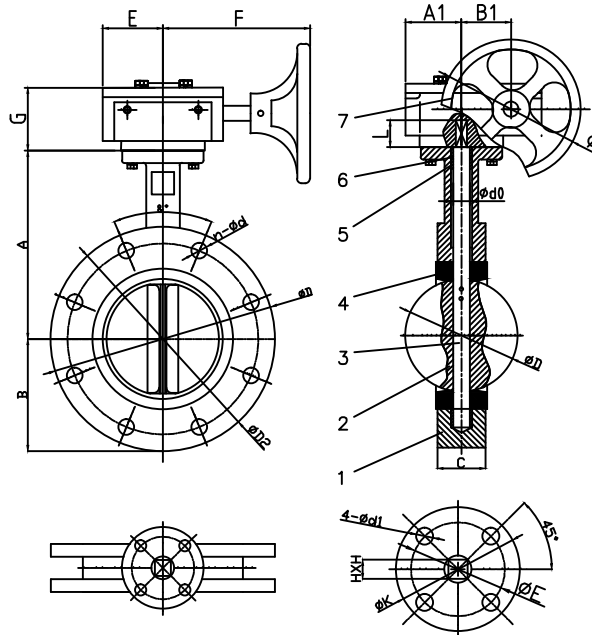


The list about dimension for U type butterfly valve			
Technical specification			
Design Standard	GB12238-89, API609		
Face to Face	GB12221, API609 MSS-67-1995, ANSI B16.1		
Flange Standard	ANSI 125/150 DIN2501 PN10/PN16		
Connection Manner	Wafer Connection		
Inspection and Test	GB13927, API598		
Nominal Pressure	1.0Mpa, 1.6Mpa, 150Lb		
Model of Driving	Hand, electrically-driven, air-operated and so on model of operation		

Item	Parts Name	Material	Standard
1	Body	GG25	A126B
		GGG40	A536
2	Disc	GGG40	A536
		CF8	A351
		CF8M	A351
		SS416	A276
3	Stem	SS431	A276
		SS304	A276
4	Seat	EPDM	ASTM D20004
		NBR	ASTM D20004
		VITON	ASTM D20004
		PTFE	ASTM D20004
5	Bushings	C954	BI48
6	O-Ring	EPDM	ASTM D20004
		NBR	ASTM D20004
		VITON	ASTM D20004
7	Gear Box	Assembling	A536 (Gear)



Dimension of Body Construction

SIZE	A	B	C	D	d0	L	ISO5211	K	E	HXH	4-φd	G	E	F	A1	B1	φ	
2"	DN50	14.0	80	4.2	52.9	12.6/14.3	30	F07	90	70	11 X 11	4-10	75	52	153	52	45	150
2.5"	DN65	15.2	89	4.4	7.4	12.6/14.3	30	F07	90	70	11 X 11	4-10	75	52	153	52	45	150
3"	DN80	15.9	95	4.5	2	12.6/14.3	30	F07	90	70	11 X 11	4-10	75	52	153	52	45	150
4"	DN100	17.8	114	5.2	10.4	15.77	30	F07	90	70	11 X 11	4-10	75	52	153	52	45	150
5"	DN125	19.1	127	5.4	4	12.3.3	30	F07	90	70	14 X 14	4-10	75	52	153	52	45	150
6"	DN150	20.4	139	5.5	8	15.5.1	30	F07	90	70	14 X 14	4-10	75	52	153	52	45	150
8"	DN200	23.8	175	6.0	20.2.5	22.10	40	F10	125	102	17 X 17	4-12	86	75	250	75	63	300
10"	DN250	27.0	203	6.5	250.5	28.4.5	40	F10	125	102	22 X 22	4-12	86	75	250	75	63	300
12"	DN300	31.5	242	7.6	9	301.6	40	F10	140	102	22 X 22	4-12	83	81	227	81	80	300
14"	DN350	36.8	267	7.6	5	333.3	45	F10	140	102	22 X 22	4-12	83	81	227	81	80	300
16"	DN400	40.0	309	8.6	5	389.6	52	F14	197	140	27 X 27	4-18	126	115	278	121	179	300
18"	DN450	42.2	328	10.2	4	440.5	52	F14	197	140	27 X 27	4-18	14.6	14.4	306	142	198	300
20"	DN500	48.0	361	12.7	4	491.6	65	F14	197	140	36 X 36	4-18	14.6	14.4	306	142	198	300
24"	DN600	56.2	459	15.2	5	592.5	70	F16	276	165	36 X 36	4-22	14.6	14.4	306	142	198	300

Dimension of Connection

SIZE	DIN PN10			DIN PN16			ANSI150			Weight(Kg)					
	φD1	n-φ	α°	φD2	φD1	n-φ	α°	φD2	φD1	n-φ	α°	L.O	G.O		
2"	DN50	125	4-18	90°	165	125	4-18	90°	165	120.6	4-19	90°	152		
2.5"	DN65	145	4-18	90°	185	145	4-18	90°	185	139.7	4-19	90°	178		
3"	DN80	160	8-18	45°	200	160	8-18	45°	200	152.4	4-19	90°	191		
4"	DN100	180	8-18	45°	220	180	8-18	45°	220	190.5	8-19	45°	229		
5"	DN125	210	8-18	45°	250	210	8-18	45°	250	215.9	8-22.4	45°	254		
6"	DN150	240	8-22	45°	285	240	8-22	45°	285	241.3	8-22.4	45°	279		
8"	DN200	295	8-22	45°	340	295	12-22	30°	340	298.4	8-22.4	45°	343		
10"	DN250	350	12-22	30°	395	355	12-26	30°	405	361.9	12-25.4	30°	406		
12"	DN300	400	12-22	30°	445	410	12-26	30°	460	431.8	12-25.4	30°	483		
14"	DN350	460	16-22	22.5°	505	470	16-26	22.5°	520	476.2	12-28.4	30°	533		
16"	DN400	515	16-26	22.5°	565	525	16-30	22.5°	580	539.7	16-28.4	22.5°	597		
18"	DN450	565	20-26	18°	615	585	20-30	18°	640	577.8	16-31.8	22.5°	635		
20"	DN500	620	20-26	18°	670	650	20-33	18°	715	635	20-31.8	18°	699		
24"	DN600	725	20-30	18°	780	770	20-36	18°	840	749.3	20-35.1	18°	813		